

## Specification sheet LX 855

### Roof drainage systems

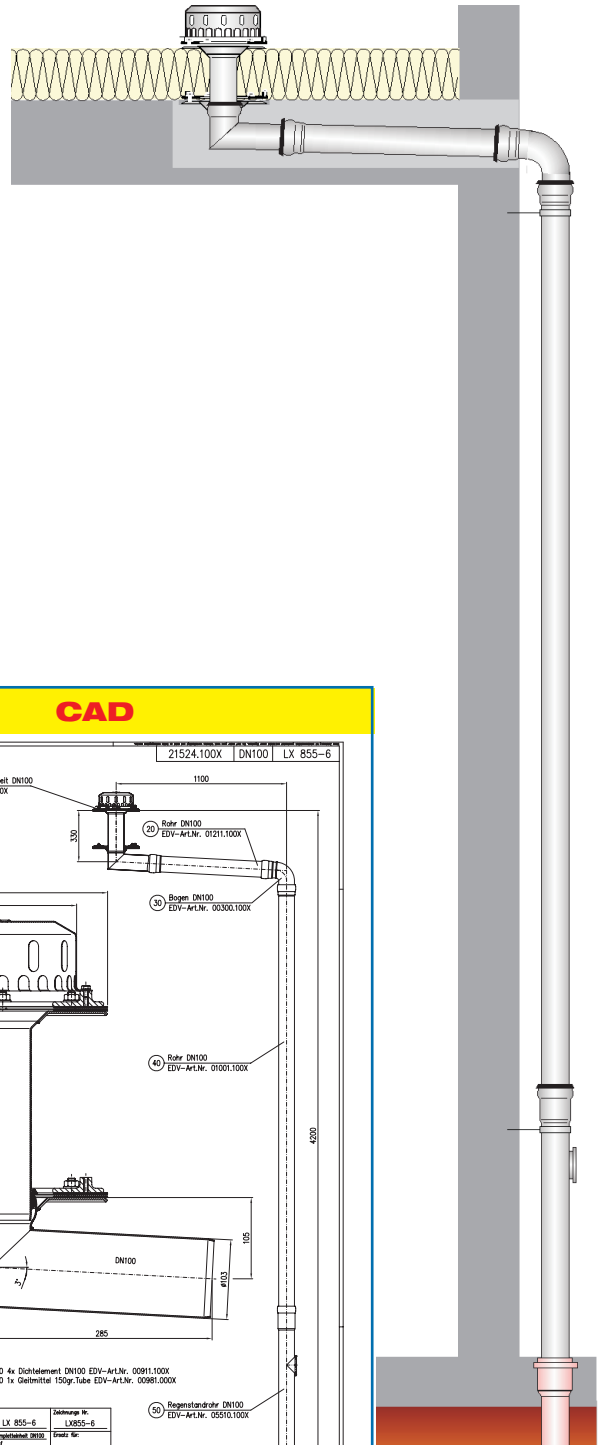
### Series 84 DRAINLET®

**Main drainage**

**Gravity flow**

**Silent Power**

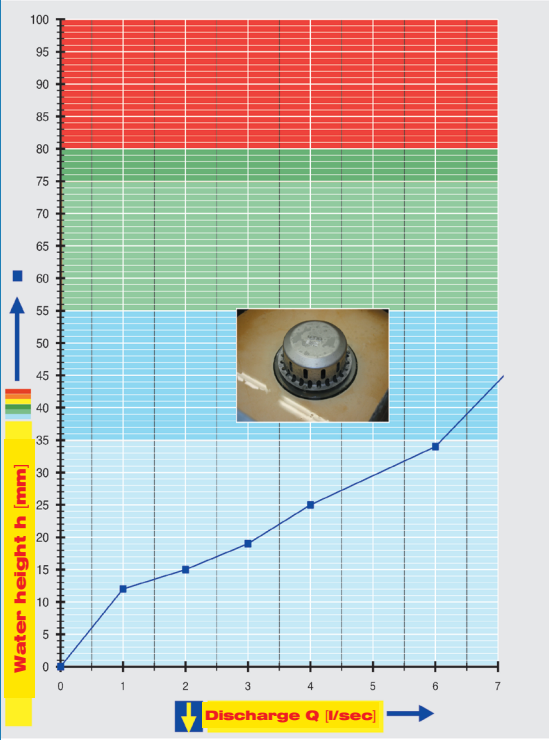
<b>Discharge rate:</b>	<b>6,1 l/sec</b>
<b>Water height:</b>	<b>35 mm</b>
<b>Roof penetration:</b>	<b>-</b>
<b>Diameter:</b>	<b>DN 100</b>
<b>LX-Number:</b>	<b>LX 855</b>
<b>Weir height:</b>	<b>0 mm</b>
<b>Drain:</b>	<b>ventilated</b>
<b>Downpipe:</b>	<b>not ventilated</b>
<b>Downpipe height:</b>	<b>4,2 m</b>
<b>Drainage:</b>	<b>in Sewer</b>



#### LX 855 Piece list

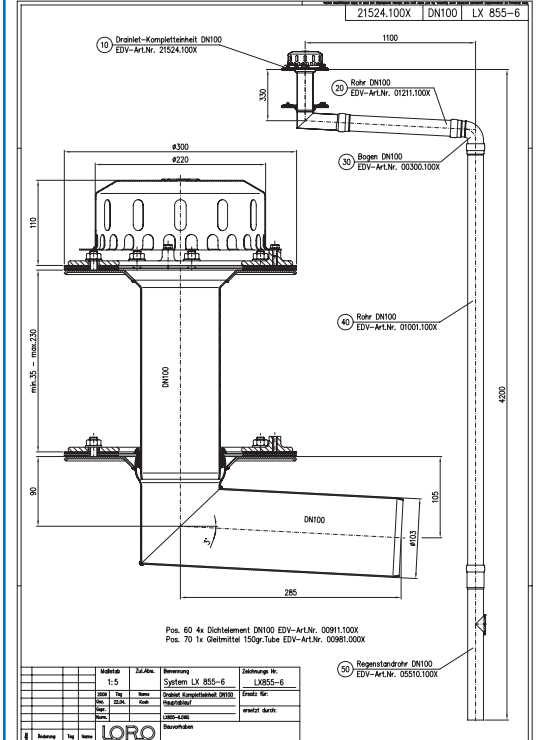
- 1 x Art.-No. choose drain on page two!
- 1 x Art.-No. 01211.100X, LORO-X Pipe with one socket
- 1 x Art.-No. 00300.100X, LORO-X Bend
- 1 x Art.-No. 01001.100X, LORO-X Pipe with one socket
- 1 x Art.-No. 05510.100X, LORO-X Stand pipe
- 4 x Art.-No. 00911.100X, LORO-X Sealing elements
- 1 x Art.-No. 00986.000X, LORO-X Lubricant

#### hQ - Head Discharge curve



**Systemleistung**

#### CAD



**Systemform**

Water height	mm	5	10	15	20	25	30	35	40	45	50	55	60	65	70	75
<b>Discharge</b>	l/sec		0,5	0,8	2	4	5,1	6,1	6,5	7	7,6	8	8,6	9	9,4	9,7
								<b>Silent Power</b>								

Choose drain for piece list on page one!

DN 100

without insulation

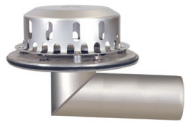
**LX855-5X**

Drain Art.-No. 21514.100X

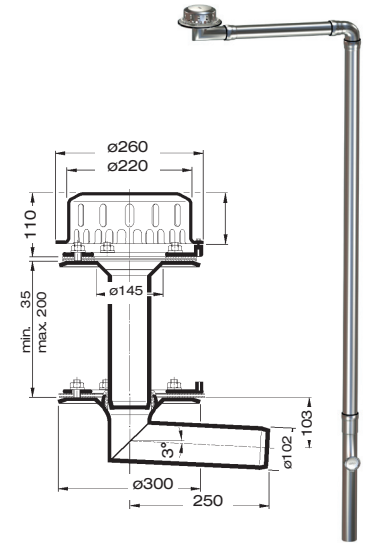
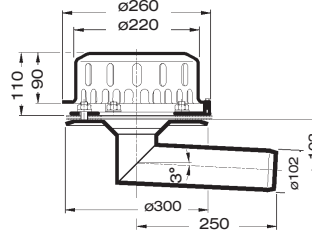
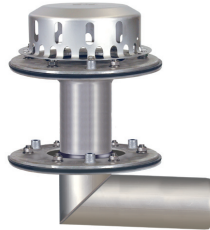
**LX855-6X**

Drain Art.-No. 21524.100X

**with clamping flange one-piece**  
for bituminous and plastic roofing sheets



**with clamping flange two-piece**  
for bituminous and plastic roofing sheets



with insulation

**LX855-7X**

Drain Art.-No. 21515.100X

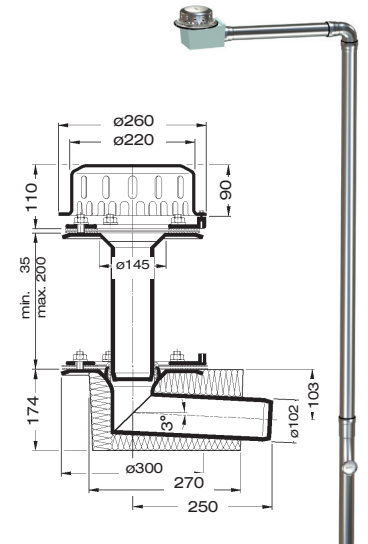
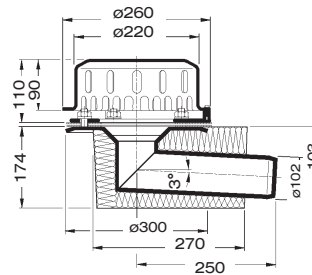
**LX855-8X**

Drain Art.-No. 21525.100X

**with clamping flange one-piece**  
for bituminous and plastic roofing sheets



**with clamping flange two-piece**  
for bituminous and plastic roofing sheets



with insulation and heating

**LX855-9X**

Drain Art.-No. 21516.100X

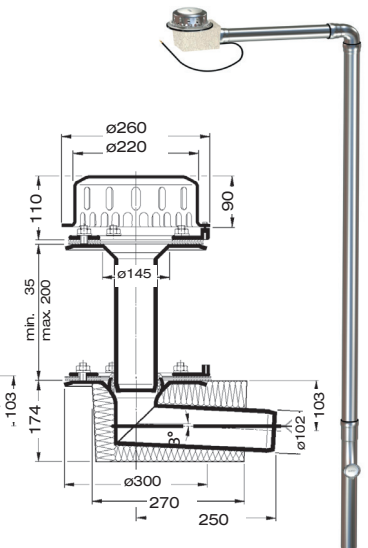
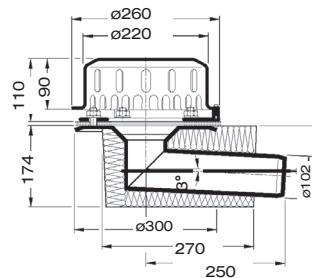
**LX855-10X**

Drain Art.-No. 21526.100X

**with clamping flange one-piece**  
for bituminous and plastic roofing sheets



**with clamping flange two-piece**  
for bituminous and plastic roofing sheets



**Heat tracing:** Lorowerk recommends to check all drains and pipes with regard to their frost-sensibility. Where necessary, these parts should be upgraded with heat tracing.